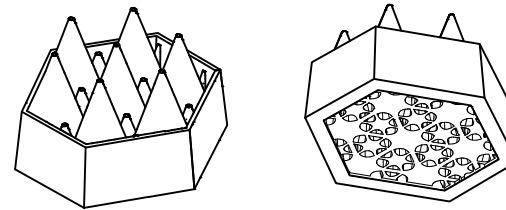
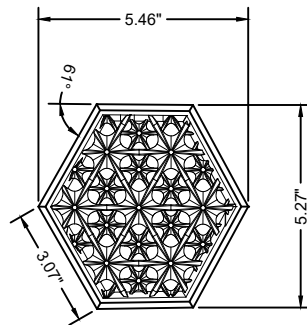


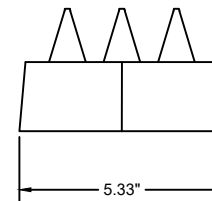
FRONT VIEW



ISOMETRIC VIEWS



TOP VIEW



SIDE VIEW



DISTRIBUTED BY:
FERGUSON
WATERWORKS
www.fergusonss.com

SEAWALL ATTACHMENT
 (INSERT FOR 50 LBS. UNIT)

DRAWN BY
 JKB
 DATE
 2/3/2025
 SHEET NO.
 1 of 1